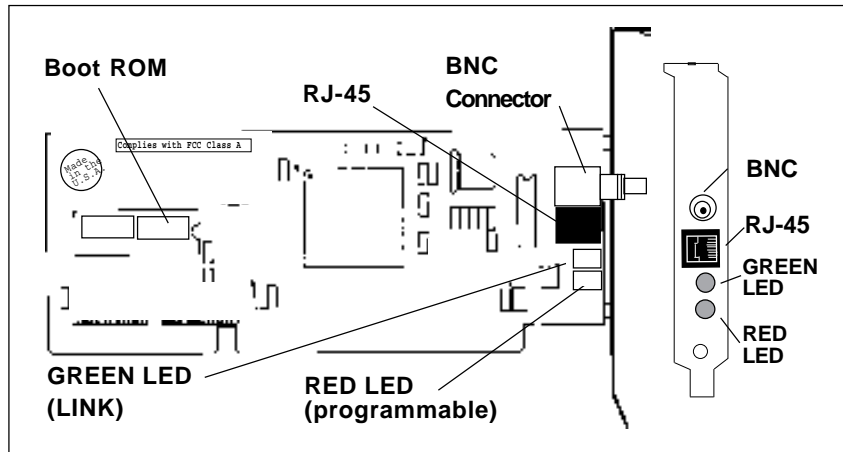


# Product Specifications



## Product Code: BEN120 Product Name: BOCALANcard Combo

- ◆ Based on the AMD PCnet-ISA+ AM79C961 chipset.
- ◆ The ISA+ denotes a software configurable network card. There are no jumpers to set.
- ◆ Software configurable means that the board is programmed through software instead of jumpers. Once the board is configured, it does not lose this configuration unless it is re-programmed again. It does not require any configuration program to be run every time the machine is booted. The only way to view the configuration of the network card is to run the BENCFG program. The program has two columns; one shows the current settings and the other shows any modifications being applied.
- ◆ Uses Bus-Mastering technology. (Accesses memory via DMA channel)
- ◆ Provides 1 RJ-45 port for 10BASE-T network topology.
- ◆ Provides 1 BNC (Coax) port for 10BASE2 network topology.
- ◆ Provides 2 LEDs. 1 green for link status, 1 programmable red for transmit, receive, polarity, jabber and collision notification.
- ◆ Provides 1 Boot ROM socket for use with any NE2100 compatible Boot ROM.
- ◆ I/O addresses available: 200h, 220h, 240h, 260, 280h, 2A0h, 2C0h, 2E0h, 300h, 320h, 340h, 360h, 380h, 3A0h, 3C0h, (Default: 300h)
- ◆ IRQs available: 3, 4, 5, 9, 10, 11, 12, 15 (Default: 3)
- ◆ DMA channels available: 3, 5, 6, 7 (Default: 5)
- ◆ NE2100-compatible (not compatible with NE2000)



◆ Dimensions: L6 1/3" x H2 1/2"

◆ FCC compliance with Class A rules



◆ The BEN120 is configured using a program called BENCFG.EXE. This program allows you to set the I/O, IRQ and DMA addresses.

◆ The programmable red LED must be told what functions to represent when working. BENCFG also provides a visual list of the red LED functions. When you choose the configuration of the LED functions, BENCFG will notify you of the value you must place into the network configuration file. For example the file Novell uses is called NET.CFG, the NDIS configuration file is PROTOCOL.INI. When the value is computed in BENCFG, you must manually place the value in the network configuration file. The product manual contains an example for each type of file and where to place the LED lines.

◆ The BEN120 can be set to different modes of operation. Using the BENCFG program you can enable/disable BootROM mode or enable/disable "Plug and Play" mode. "Plug and Play" mode is used if the machine is running a "Plug and Play" driver, i.e., Microsoft Plug and Play. With the BootROM and Plug and Play modes disabled, the BEN120 operates as a standard software configurable network card. (Default is both modes disabled).